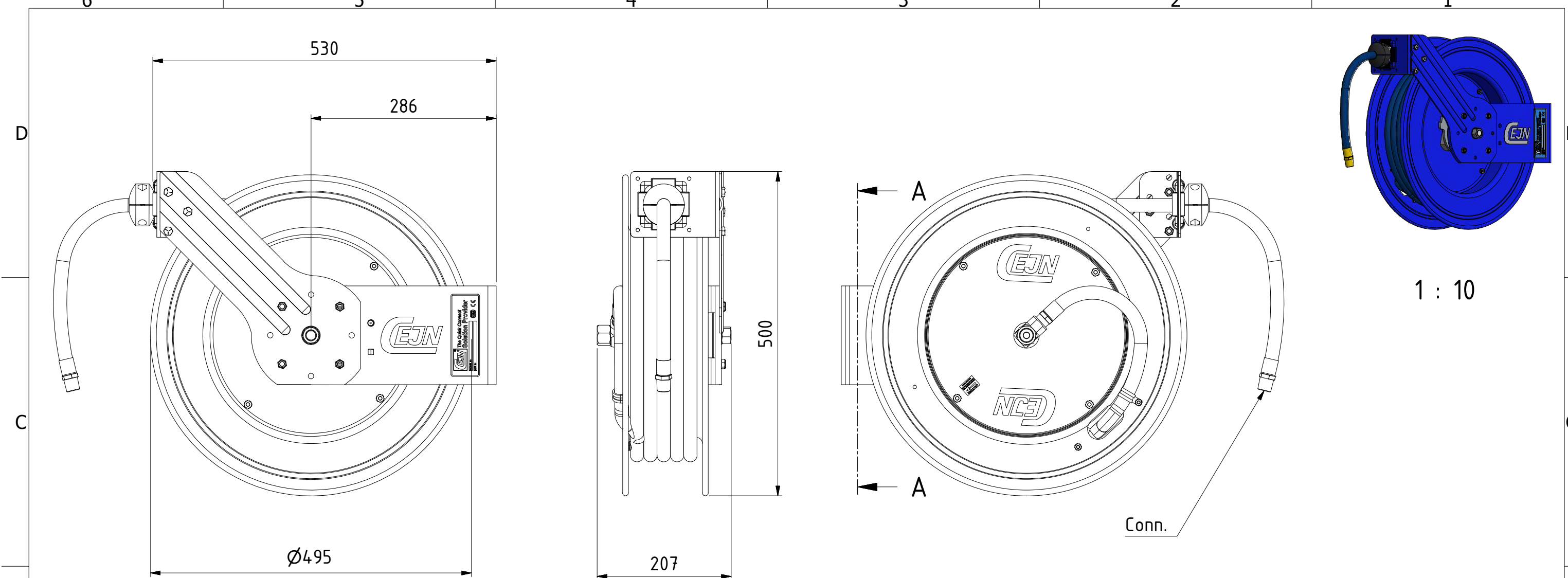


This document must not be copied, either completely or in part, without permission. Any infringement will have legal consequences ©



\*Anti-spark hose

### Product Data - 19,5" Open Hose Reels Air

Art.no.	Hose length [m] (ft)	Dim. (IDxOD) [mm]	Conn.	WP [bar] (psi)	Weight [kg]
19 911 3141	18 (60)	9,5x13,5	BSPT 3/8"	16 (232)	23
19 911 3146	18 (60)	9,5x13,5	3/8" NPT	16 (232)	23
19 911 3150	15 (50)	13x18	BSPT 1/2"	10 (145)	22
19 911 3155	15 (50)	13x18	1/2" NPT	10 (145)	22

#### Technical Data:

Hose material: Braided PUR (ester based)  
 Connection: male thread  
 Temperature range: -20°C - +60°C (-4°F - +140°F)  
 Sealing material: NBR

	Scale	1 : 6	Drawn	CABANLA	Checked	LHE	Appr.	JOOL	ECO	11855	Date	2018-01-12	
	<b>Assembly Drawing 509119903</b>								Drawing No.				
										Issue	AA	Sheet	1 / (1)